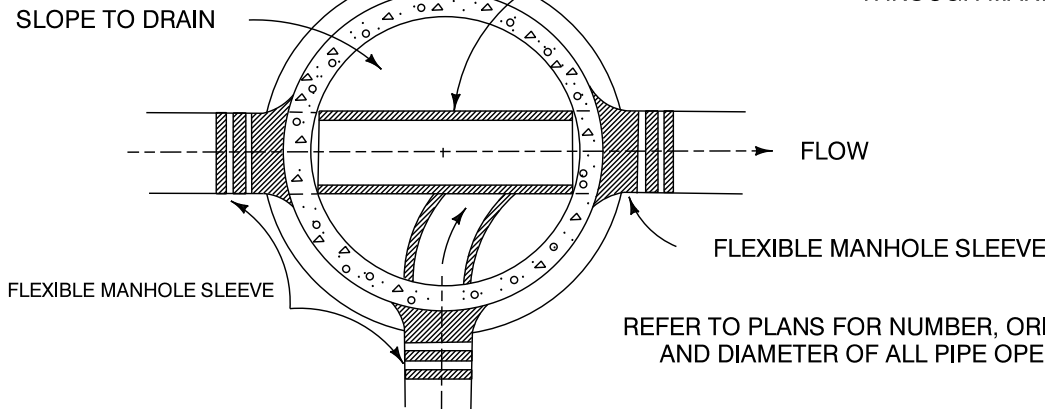


NOTE:

A tracing wire, if required, must be installed and brought to grade.
(12 gauge, solid strand, insulated wire)

SHOP MADE CONCRETE FILLET
PROVIDE MIN. 0.10' SLOPE
DIFFERENTIAL ALONG INVERT
THROUGH MANHOLE



PLAN

PROVIDE NEENAH R-1772C FRAME AND MANHOLE AS SPECIFIED BELOW:

FOR ALL PUBLIC STRUCTURES
USE VILLAGE OF GURNEE LOGO

FOR ALL OTHERS - CONCEALED PICKHOLES,
SELF-SEALING GASKET, AND WORD
"SANITARY" CAST IN LID.

EXTERNAL BANDED FLEXIBLE ELASTOMERIC
SEAL, "CRETEX" OR EQUAL. (SEE NOTE)

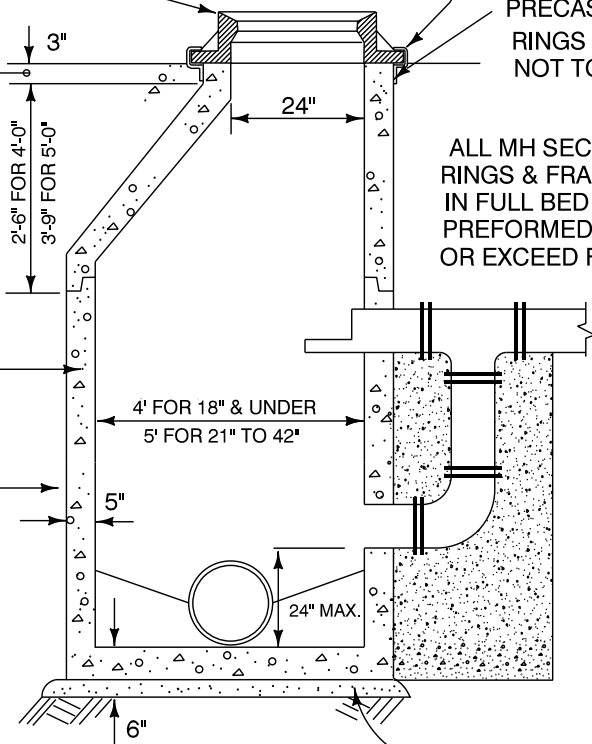
PRECAST CONCRETE ADJUSTING
RINGS AS NECESSARY-HEIGHT
NOT TO EXCEED 8"

CAST RISER WITH
ECCENTRIC CONE SECTION

ALL MH SECTIONS, ADJUSTING
RINGS & FRAMES SHALL BE SET
IN FULL BED OF BIT. MASTIC OR
PREFORMED BIT. GASKET-MEET
OR EXCEED FED. SPEC. SS-S-210A

PRECAST REINFORCED CONC.
RING CONSTRUCTION PER
ASTM C-478-64T

BOTTOM BARREL SECTION &
BASE CAST MONOLITHICALLY.



SECTION

NOTE: EXTERNAL BAND TO BE INSPECTED
JUST PRIOR TO ANY PAVING
OPERATIONS.

4" GRAVEL, SAND OR CRUSHED
STONE BEDDING UNDER BOTTOM
SECTION AND FILL EXCAVATION
AROUND MANHOLE TO 1 FOOT
OVER TOP OF PIPE

SANITARY DROP MANHOLE

Issued by: DLZ 10/11/00		
By	Revised	Date
SD		1/4/06
MJ		6/24/14

**VILLAGE OF GURNEE
ENGINEERING DIVISION**

Approved by:	
SD	1/4/06
SD	6/24/14