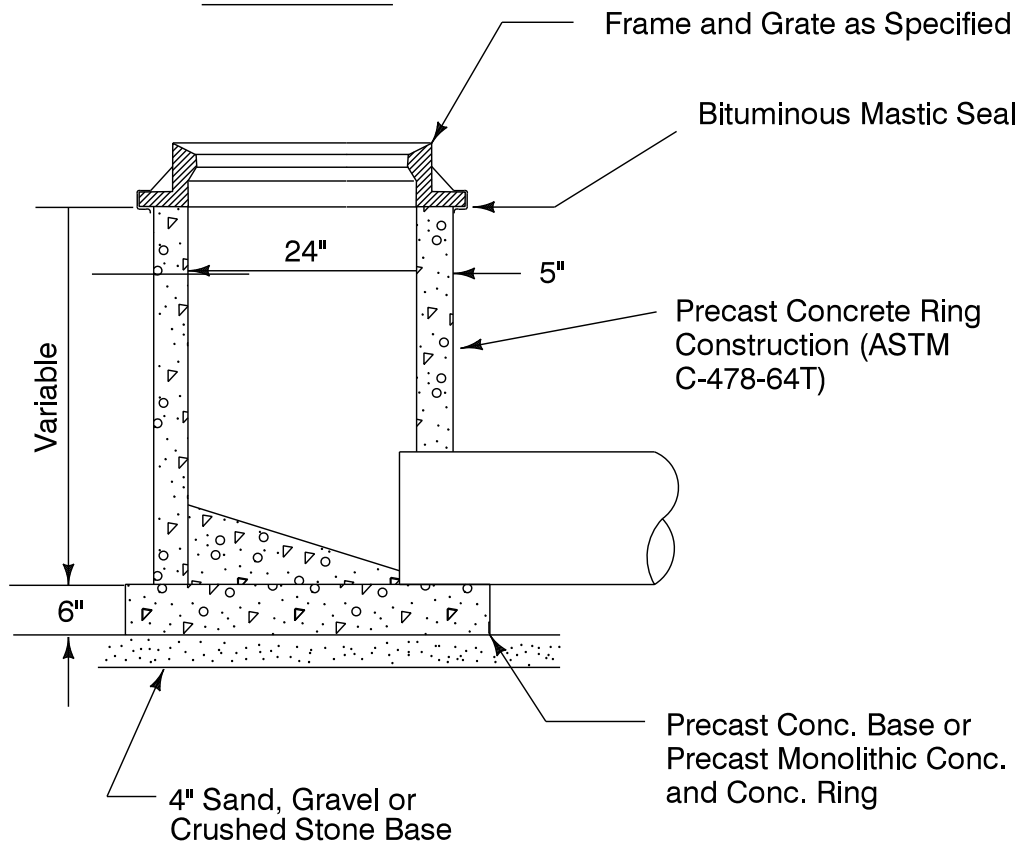


Open Lids Shall Be
 Lettered "Dump No Waste"
 With a Cast Fish Logo.

PLAN



SECTION

STORM INLET, TYPE A

Issued		
By	Revised	Date
WJH		2-22-93
MJ		6-24-14

VILLAGE OF GURNEE
 ENGINEERING DIVISION

Approved by:	
SD	1/4/06
SD	6/24/14