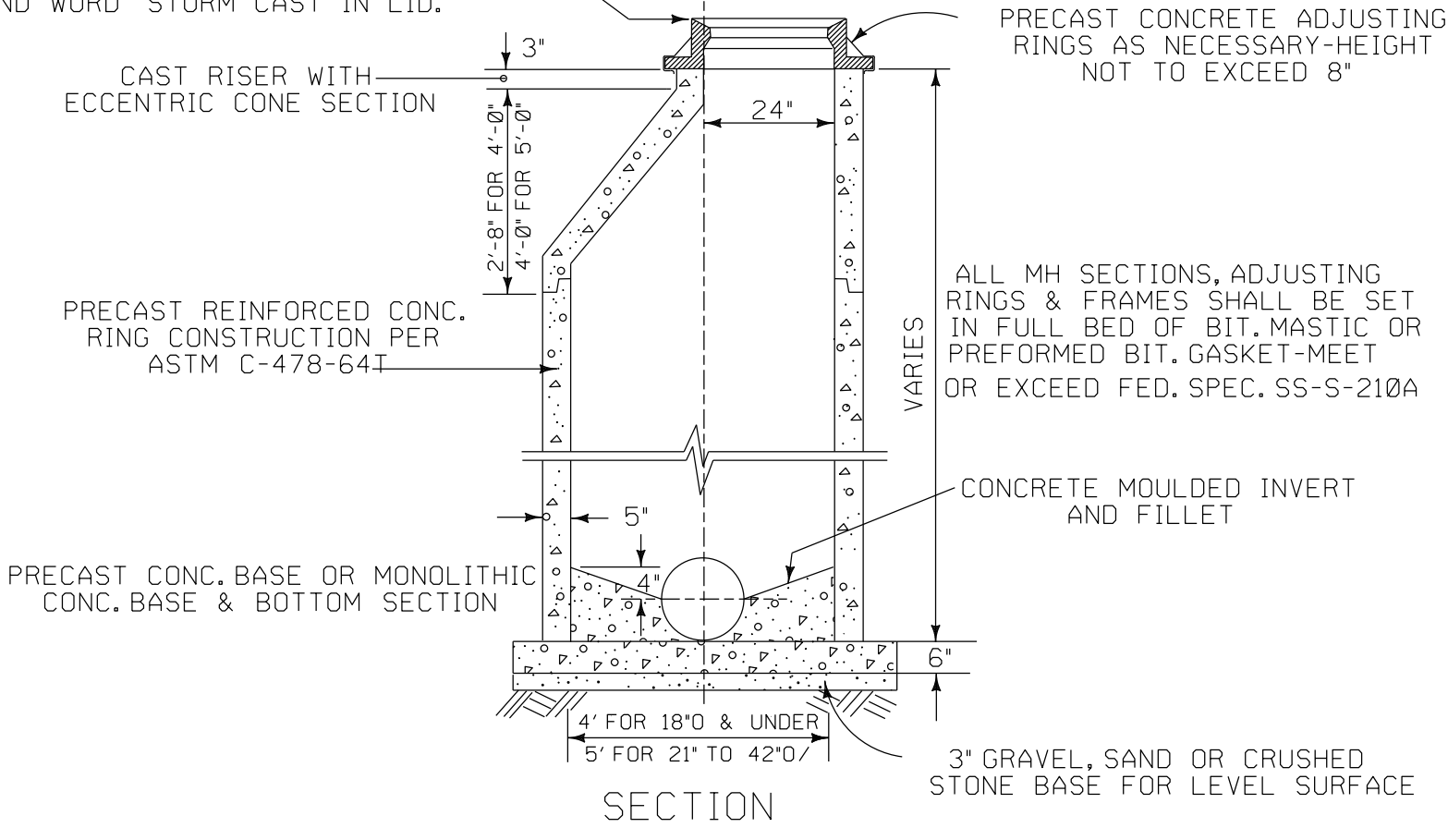


PLAN

PROVIDE NEENAH R-1772 FRAME FOR ALL PUBLIC STRUCTURES USE (VILLAGE OF GURNEE LOGO) FOR ALL OTHERS - CONCEALED PICKHOLES, SELF-SEALING GASKET, AND WORD "STORM" CAST IN LID.

PIPE LAID STRAIGHT THRU TOP HALF CUT OUT OR MOULDED INVERT



SECTION

# STORM MANHOLE, TYPE A

Issued		
By	Revised	Date
WJH		2-22-93
SD		1-4-06
MJ		6-24-14

VILLAGE OF GURNEE  
ENGINEERING DIVISION

Approved by:	
SD	1/4/06
SD	6/24/14